

ISD-SC6550S-4CVL X-ray Intelligent Security Inspection System

The ISD-SC6550S-4CVL X-ray intelligent security inspection system integrates the functions of intelligent recognition, face recognition, behavior analysis and variable speed, etc., which can better solve the problems such as missing inspection caused by low concentration of security inspectors and excessive security pressure during rush hours. The products are applicable to government agencies, scenic spots, courts, procuratorates, prisons, embassies, factories, schools, hospitals, gymnasiums, exhibition halls, entertainment venues and other scenes, and can be used for security check of briefcases, postal parcels, express parcels, carry-on luggage and small parcels.



- Advanced material properties identification technology can effectively identify the equivalent of atomic number of item (such as metal and organics) and give a different color
- Intelligent recognition technology is a deep learning recognition algorithm with full independent intellectual property rights, which realizes the integration of intelligent recognition algorithm and X-ray imaging software, and achieves better recognition effect
- Radiation leakage reaches environmental level
- speed can be changed according to the scene
- Double lead curtain design effectively reduce the radiation lead shade place
- Supports access to Hik-central, and implement the data upload
- Data storage supports local storage, view and playback of the images and alarm information
- Event tracing can organically combine X-ray image with passenger video information to realize human package tracing
- Supports login with face and fingerprint authentication



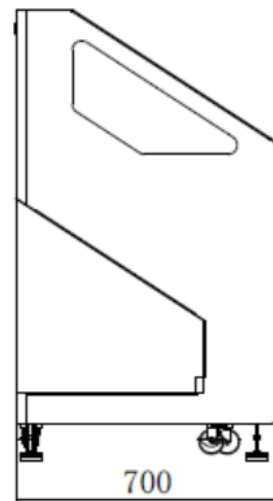
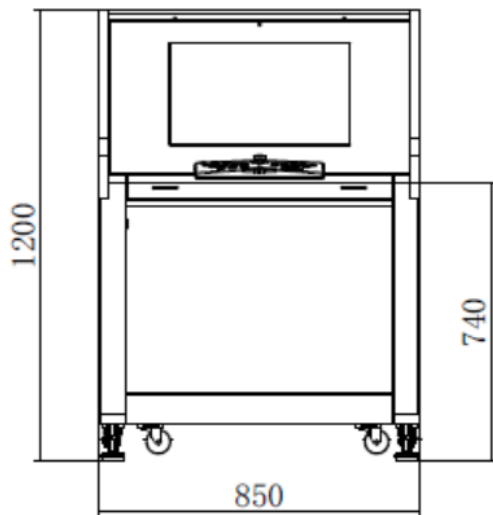
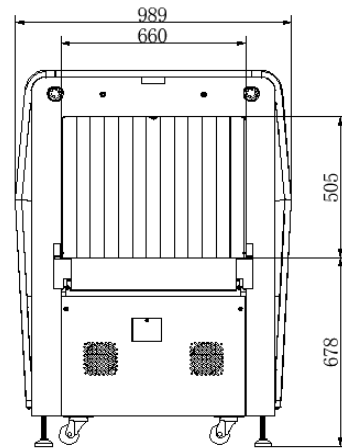
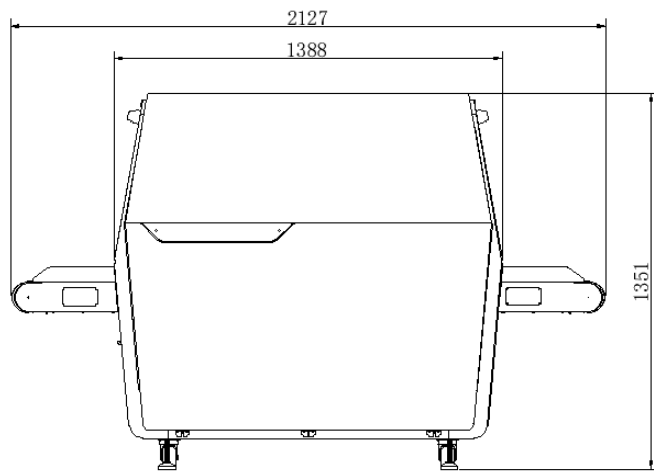
▪ Specification

	Model	ISD-SC6550S-4CVL
Size	Tunnel Size	650 mm(W) × 500 mm(H)
	Dimension	2127 mm × 989 mm × 1351mm (L x W x H)
	Operation Desk Size	850mmx 700mm x 1200mm (L x W x H)
Performance	Line Resolution	φ0.0787mm 40AWG
	Penetration Steel panel	30mm standard, 34mm typical
	Spatial Resolution	1.0mm(Horizontal and vertical)
	X-Ray Generator	160kV 1.2mA(Adjustable)
	X-Ray Cooling/Work Period	Oil Cooling/Continuous
	Film Security	Standard of ASA/ISO1600
Radiation	Leakage	< 1μGy/h, 50mm away from the device sheet
Conveyor	Conveyor Height	678mm
	Speed	0.2m/s, 0.3m/s, 0.4m/s adjustable
Monitoring System	Sensor Type	1/2.7" Progressive Scan CMOS
	Camera	4 ch
	Video Compression Standard	H.265 /H.264 / MJPEG
	Max. Image Size	1920× 1080
	Frame Rate	50Hz: 25fps (1920× 1080, 1536× 864, 1280 × 720)
	Storage Time	≥30 days
Intelligent Function	Prohibited Goods	15 major types
	Login Method	Face/ Fingerprint/ Password
Operation Panel	Screen Size	21.5", Single Screen,1920×1080
	Camera Image Size	1 ch, 1920 x 1080
General	Consumption	< 0.8 KVA
	Power	220VAC(±10%) 50±3Hz
	Operating Humidity	10% to 90%(No Condensation)
	Operating Temperature	0°C to 45°C
	Weight	600 kg

▪ Available Model

ISD-SC6550S-4CVL	Main machine	X-Ray Intelligent Security Check Machine, monitor, mouse included.
	Exit table/ carrier	0.6 m entrance Flat table included. 1.2 m exit Flat table included

▪ Dimension





Distributed by

**HIKVISION®****Headquarters**

No.555 Qianmo Road, Binjiang District,
Hangzhou 310051, China
T +86-571-8807-5998
overseasbusiness@hikvision.com

Hikvision USA
T +1-909-895-0400
sales.usa@hikvision.com

Hikvision Australia
T +61-2-8599-4233
salesau@hikvision.com

Hikvision India
T +91-22-28469900
sales@pramahikvision.com

Hikvision Canada
T +1-866-200-6690
sales.canada@hikvision.com

Hikvision Thailand
T +662-275-9949
sales.thailand@hikvision.com

Hikvision Europe
T +31-23-5542770
sales.eu@hikvision.com

Hikvision Italy
T +39-0438-6902
info.it@hikvision.com

Hikvision Brazil
T +55 11 3318-0050
Latam.support@hikvision.com

Hikvision Turkey
T +90 [216]521 7070- 7074
sales.tr@hikvision.com

Hikvision Malaysia
T +601-7652-2413
sales.my@hikvision.com

Hikvision UK & Ireland
T +01628-902140
sales.uk@hikvision.com

Hikvision South Africa
Tel: +27 (10) 0351172
sale.africa@hikvision.com

Hikvision France
T +33(0)1-85-330-450
info.fr@hikvision.com

Hikvision Kazakhstan
T +7-727-9730667
nikia.panfilov@hikvision.ru

Hikvision Vietnam
T +84-974270888
sales.vt@hikvision.com

Hikvision UAE
T +971-4-4432090
salesme@hikvision.com

Hikvision Singapore
T +65-6684-4718
sg@hikvision.com

Hikvision Spain
T +34-91-737-16-55
info.es@hikvision.com

Hikvision Tashkent
T +99-87-1238-9438
uzb@hikvision.ru

Hikvision Hong Kong
T +852-2151-1761
info.hk@hikvision.com

Hikvision Russia
T +7-495-669-67-99
saleru@hikvision.com

Hikvision Korea
T +82-(0)31-731-8817
sales.korea@hikvision.com

Hikvision Poland
T +48-22-460-01-50
info.pl@hikvision.com

Hikvision Indonesia
T +62-21-2933759
Sales.Indonesia@hikvision.com

Hikvision Colombia
sales.colombia@hikvision.com